



2017 Artisan & Entrepreneur Show

Saturday, Oct 21, 2017 10am-4pm
Assumption School Gym

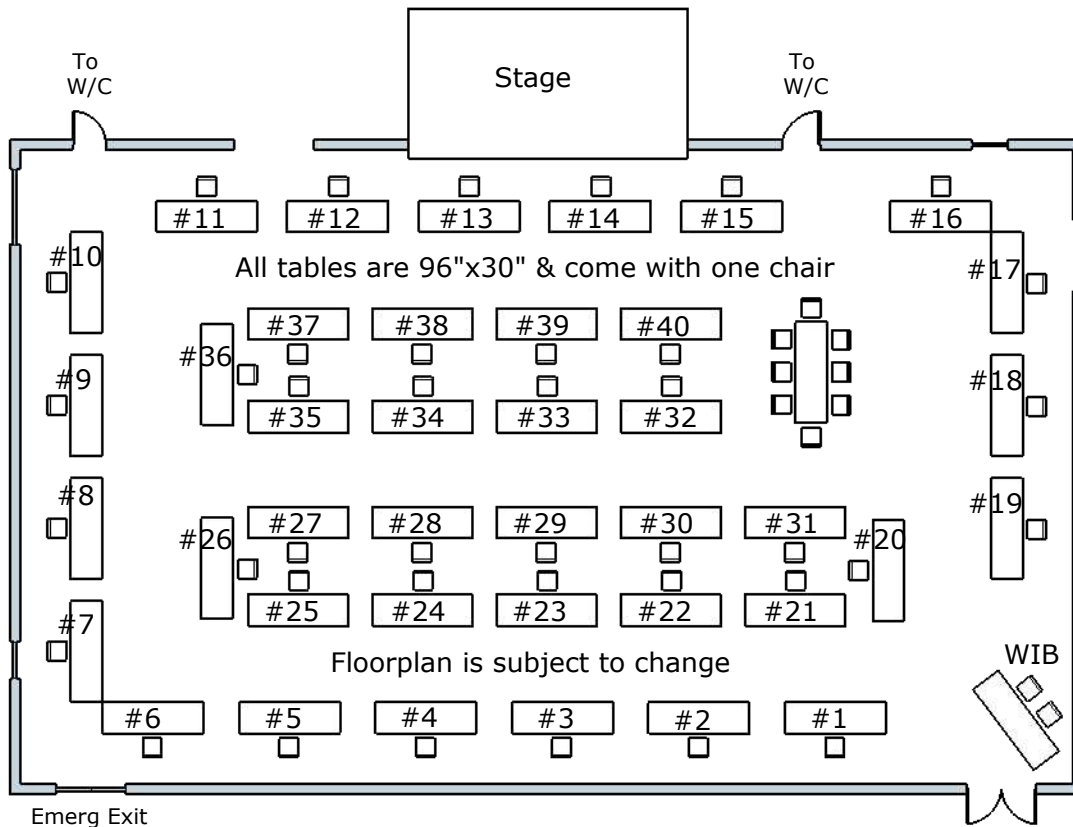
Table Rental:

A table-top trade show for Powell River business owners who are looking for a venue to showcase their products and/or services to a large audience.

- \$35 for WIB members
- \$45 for non members

***Exhibitors are required to donate an item or gift certificate (min \$10) to be drawn throughout the day.**

***Power is available for tables 11-19 only, you must bring your own extension cord (20'+). A black floor length table clothes are available on a first come first served basis.**



Business Name: _____

Product/Service: _____

Brand (Direct Sales only): _____

Contact Name: _____

Phone: _____

email: _____

Table #: (1st choice): _____ (2nd choice) _____

***Please note that similar businesses will be represented in the show, however only one vendor for a specific direct sales brand name will be allowed. If you represent a direct sales product, you **MUST** enter it above.**

Presented by Powell River Women in Business & Powell River Living Magazine, The Powell River Peak & 95.7 Coast FM

***Open to all local business men & women**

First come, first served! Call 604.485.9333 or email leah@relishinteriors.com to book your table. Drop off form with payment (cash or cheque only) to 4670B Marine Ave.

Set up time begins at 8am on Saturday. Must be set up by 9:45. Unclaimed tables will be removed. No refunds are available. Aisles must be kept clear. You are provided with 8' of space. If you would like to bring your own smaller table, please let us know. The show ends at 4pm - Absolutely no early packing up!

